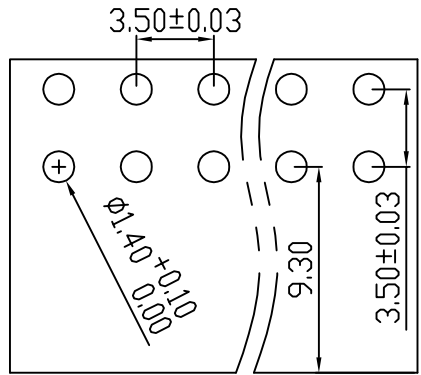
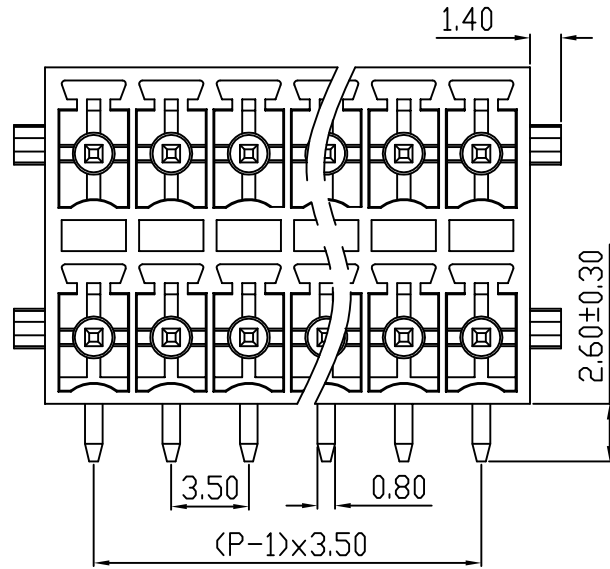


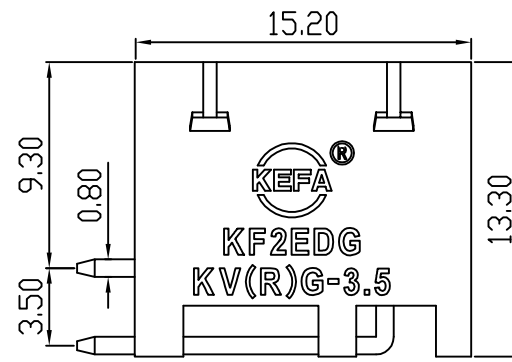
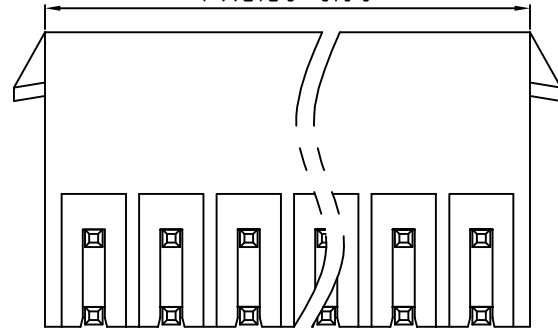
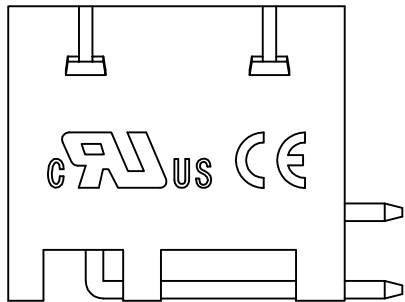
| linear dimension(Tolerances Standard GB/T 14486-2008) |       |              |               |               |                |                 |             | —    | $\nabla$       | $\perp$     |
|---|-------|--------------|---------------|---------------|----------------|-----------------|-------------|------|----------------|-------------|
| variable range  | to    | over 6 to 10 | over 10 to 30 | over 30 to 60 | over 60 to 100 | over 100 to 160 | over 160 to | to   | over 10 to 100 | over 100 to |
|   | 6     | 10           | 30            | 60            | 100            | 160             |             | 10   | 100            |             |
| tolerance   | ±0.20 | ±0.30        | ±0.50         | ±0.70         | ±1.00          | ±1.30           | ±1.60       | 0.10 | 0.30           | 0.60        |



PCB LAYOUT



$P \times 3.50 + 0.90$



| REVISION RECORD |             |         |          |          |
|-----------------|-------------|---------|----------|----------|
| REV.            | DESCRIPTION | ECN No. | APPROVED | DATE     |
| A               | 新发行         |         | GLF      | 21.03.13 |
|                 |             |         |          |          |
|                 |             |         |          |          |

| UL/CUL 技术参数<br>UL/CUL Technical Data               |                  |     |     |  |
|--|------------------|-----|-----|--|
| 等级 Use Group                                       | B                | C   | D   |  |
| 额定电压 Rated Voltage [V]                             | 300              | -   | 300 |  |
| 额定电流 Rated Current [A]                             | 8                | -   | 10  |  |
| 接线范围 Wire Range                                    | -                |     |     |  |
| 单/多芯线 Solid/Stranded [AWG]                         | -                |     |     |  |
| 耐电压 Withstanding Voltage                           | AC1600V/1Min     |     |     |  |
| IEC 技术参数<br>IEC Technical Data                     |                  |     |     |  |
| 过电压类别 Overvoltage Category                         | III              | III | II  |  |
| 污染等级 Contamination Class                           | 3                | 2   | 2   |  |
| 额定电压 Rated Voltage [V]                             | -                | 160 | 320 |  |
| 额定电流 Rated Current [A]                             | -                | 7   | 7   |  |
| 额定冲击电压 Impulse withstand voltage <sup>a</sup> [KV] | -                | 2.5 | 2.5 |  |
| 导线截面积 Conductor cross section                      | -                |     |     |  |
| 硬质/柔性导线 Solid/flexible [mm <sup>2</sup> ]          | -                |     |     |  |
| 材料 Material  |                  |     |     |  |
| 绝缘材料 Insulation Material                           | PA66             |     |     |  |
| 阻燃等级 Imflammability                                | UL94V-0          |     |     |  |
| 导体材料 Contactor Material                            | 铜合金 Copper alloy |     |     |  |
| 导体表面镀层 Contactive Coating                          | 镀锡 Tin Plated    |     |     |  |
| 一般参数 Other Data                                    |                  |     |     |  |
| 间距 Pitch [mm]                                      | 3.5              |     |     |  |
| 极数 Poles [P]                                       | 2x(2-24)         |     |     |  |
| 剥线长度 Stripping Length [mm]                         | -                |     |     |  |
| 螺丝 Screw/扭矩 Torque(Max) [N.m]                      | -                |     |     |  |
| 工作温度 Operating temperatur [°C]                     | -40~+105         |     |     |  |
| 引针尺寸 Pin Dimensions [mm]                           | 2.6              |     |     |  |
| PCB板孔径 PCB Hole Diameter [mm]                      | 1.4              |     |     |  |

|      |     |      |          |  |    |         |    |          |               |                             |        |   |
|------|-----|------|----------|--|----|---------|----|----------|---------------|-----------------------------|--------|---|
| DES. | FZM | DATE | 21.03.13 | 单位/UNITS                                     | mm | 尺寸/SIZE | A4 | 比例/SCALE | 1:1           | 第三视角/THIRD ANGLE PROJECTION | 版本/REV | A |
| CHK. | SY  | DATE | 21.03.13 | 慈溪市科发电子有限公司<br>CIXI KEFA ELECTRONIC CO., LTD |    |         |    | 名称/TITLE | KF2EDGKRG-3.5 |                             |        |   |
| APP. | CLF | DATE | 21.03.13 |  |    |         |    |          |               |                             |        |   |