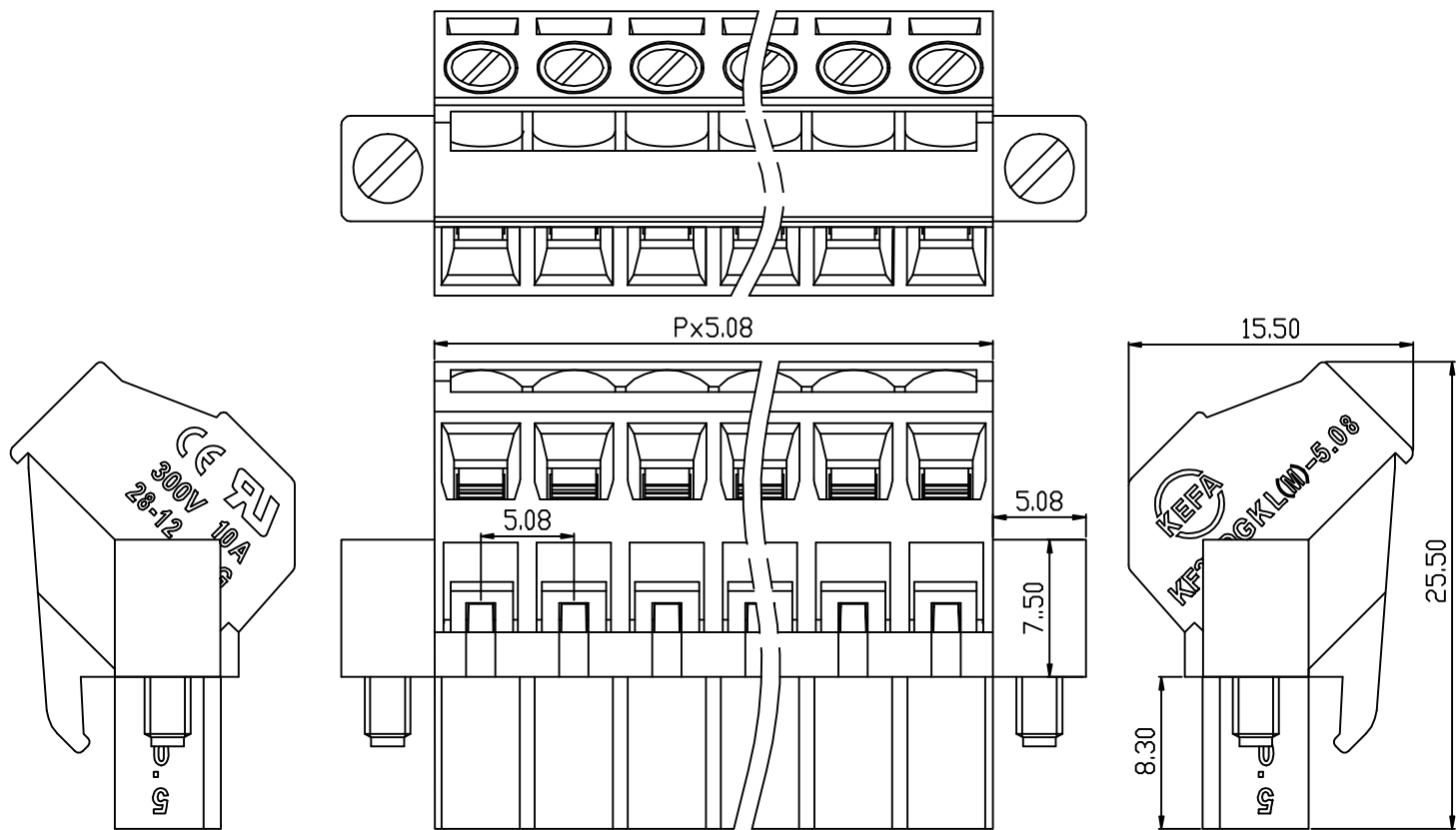


linear dimension(Tolerances Standard GB/T 14486-2008)										
variable range	to	over 6 to	over 10 to	over 30 to	over 60 to	over 100 to	over 160 to	to	over 10 to	over 100 to
	tolerance	±0.20	±0.30	±0.50	±0.70	±1.00	±1.30	±1.60	0.10	0.30

REVISION RECORD				
REV.	DESCRIPTION	ECN No.	APPROVED	DATE
A	新发行		GLF	21.03.13

UL/CUL 技术参数			
UL/CUL Technical Data			
等级	Use Group	B	C D
额定电压	Rated Voltage [V]	300	- 300
额定电流	Rated Current [A]	10	- 10
接线范围	Wire Range	24-12	
单/多芯线	Solid/Stranded [AWG]		
耐电压	Withstanding Voltage	1800V/1Min	
IEC 技术参数			
IEC Technical Data			
过电压类别	Overvoltage Category	III	III II
污染等级	Contamination Class	3	2 2
额定电压	Rated Voltage [V]	-	320 630
额定电流	Rated Current [A]	-	15 15
额定冲击电压	Impulse withstand voltages [KV]	-	4.0 4.0
导线横面积	Conductor cross section	2.5	
硬质/柔性导线	Solid/flexible [mm <sup>2</sup> ]		
材料 Material			
绝缘材料	Insulation Material	PA66	
阻燃等级	Inflammability	UL94V-0	
导体材料	Contacting Material	铜合金 Copper alloy	
导体表面镀层	Contactive Coating	镀镍 Ni Plated	
一般参数 Other Data			
间距	Pitch [mm]	5.08	
极数	Pole [P]	2-24	
剥线长度	Stripping Length [mm]	7-8	
螺丝 扭矩	Torque(Max) [N.m]	M2.5/0.4	
工作温度	Operating temperatur [°C]	-40~+105	
引脚尺寸	Pin Dimensions [mm]	-	
PCB板孔径	PCB Hole Diameter [mm]	-	



DES.	LQQ	DATE	21.03.13	单位/UNITS	mm	尺寸/SIZE	A4	比例/SCALE	1:1	第三视角/THIRD ANGLE PROJECTION	版本/REV	A
CHK.	SY	DATE	21.03.13	慈溪市科发电子有限公司 CIXI KEFA ELECTRONIC CO., LTD				名称/TITLE	KF2EDGKLM-5.08			
APP.	CLF	DATE	21.03.13									