

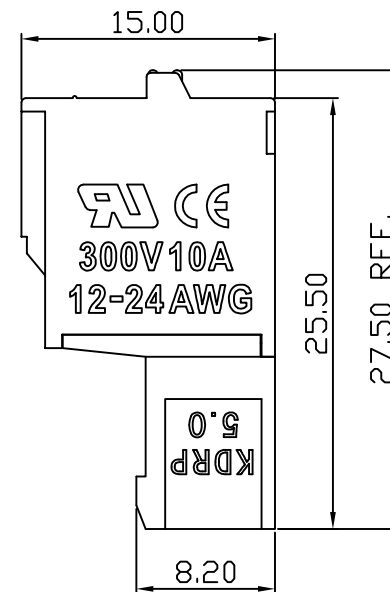
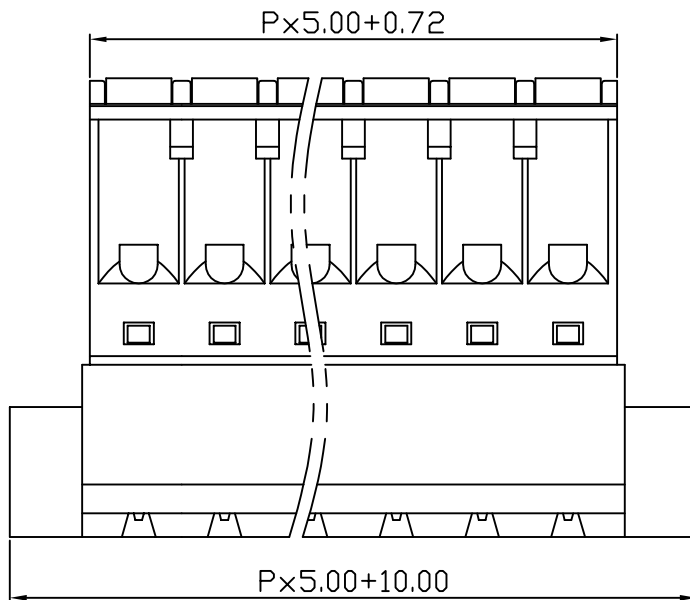
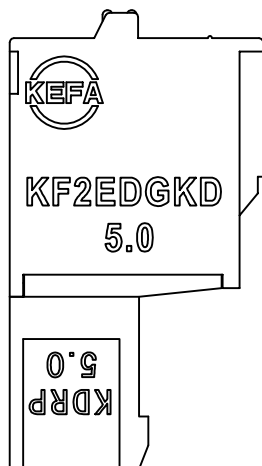
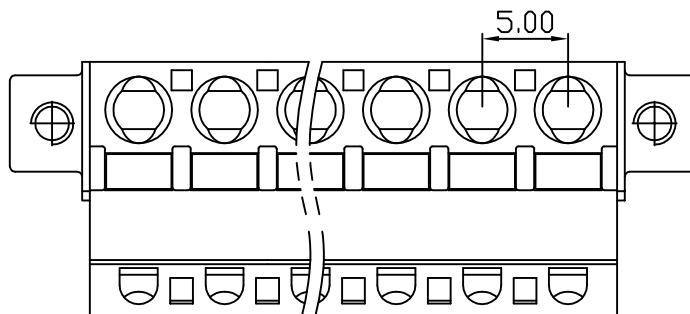
linear dimension(Tolerances Standard GB/T 14486-2008)



variable range	to 6	over 6	over 10	over 30	over 60	over 100	over 160	to 10	over 10	over 100
		to 10	to 30	to 60	to 100	to 160	to 100		to 100	
tolerance	±0.20	±0.30	±0.50	±0.70	±1.00	±1.30	±1.60	0.10	0.30	0.60

REVISION RECORD

REV.	DESCRIPTION	ECN No.	APPROVED	DATE
A	新发行		CLF	22.03.07



UL/CUL 技术参数 UL/CUL Technical Data				
等级	Use Group	B	C	D
额定电压	Rated Voltage [V]	300	-	300
额定电流	Rated Current [A]	10	-	10
接线范围	Wire Range	24-12		
单/多芯线	Solid/Stranded [AWG]			
耐电压	Withstanding Voltage	AC1600V/1Min		
IEC 技术参数 IEC Technical Data				
过电压类别	Overvoltage Category	III	III	II
污染等级	Contamination Class	3	2	2
额定电压	Rated Voltage [V]	-	320	630
额定电流	Rated Current [A]	-	15	15
额定冲击电压	Impulse withstand voltage ^a [KV]	-	4.0	4.0
导线截面积	Conductor cross section	2.5		
硬质/柔性导线	Solid/flexible [mm ²]			
材料 Material				
绝缘材料	Insulation Material	PA66		
阻燃等级	Imflamability			
导体材料	Contactur Material	铜合金 Copper alloy		
导体表面镀层	Contactive Coating	镀镍 Ni Plated		
一般参数 Other Data				
间距	Pitch [mm]	5.0		
极数	Poles [P]	2-24		
剥线长度	Stripping Length [mm]	10-11		
螺丝	Screw/扭矩 Torque(Max) [N.m]	-		
工作温度	Operating temperatur [°C]	-40~+105		
引针尺寸	Pin Dimensions [mm]	-		
PCB板孔径	PCB Hole Diameter [mm]	-		

DES.	LQQ	DATE	22.03.07
CHK.	BY	DATE	22.03.07
APP.	CLF	DATE	22.03.07

单位 / UNITS	mm	尺寸 / SIZE	A4	比例 / SCALE	1:1
慈溪市科发电子有限公司 CIXI KEFA ELECTRONIC CO., LTD					

第三视角 / THIRD ANGLE PROJECTION	版本 / REV	A
名称 / TITLE	KF2EDGKDRP-5.0	