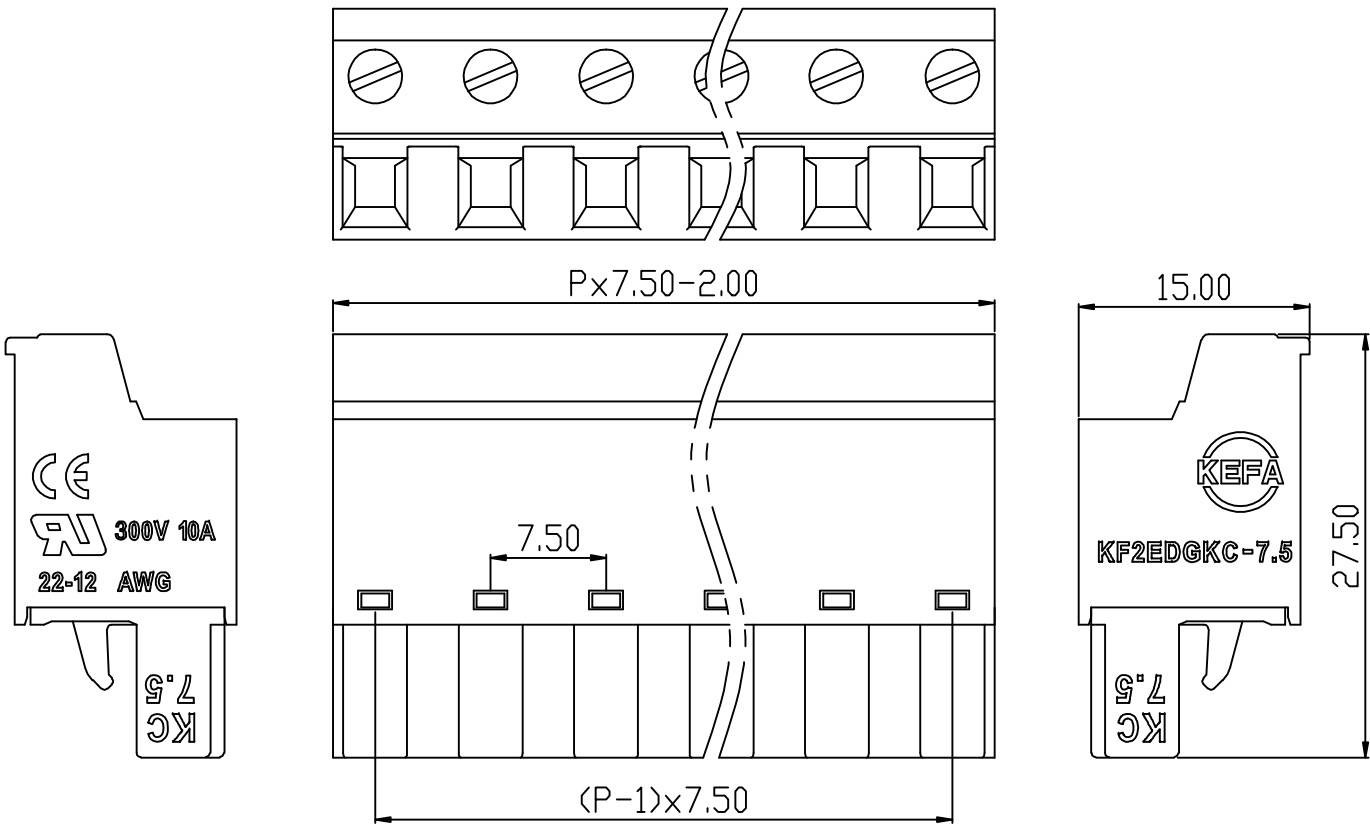


linear dimension(Tolerances Standard GB/T 14486-2008)								—	$\square$	$\perp$
variable range	to 6	over 6 to 10	over 10 to 30	over 30 to 60	over 60 to 100	over 100 to 160	over 160 to	to 10	over 10 to 100	over 100 to
tolerance	±0.20	±0.30	±0.50	±0.70	±1.00	±1.30	±1.60	0.10	0.30	0.60

REVISION RECORD				
REV.	DESCRIPTION	ECN No.	APPROVED	DATE
A	新发行		CLF	22.02.22

UL/CUL 技术参数 UL/CUL Technical Data			
等级 Use Group		B	C D
额定电压 Rated Voltage [V]		300	- 300
额定电流 Rated Current [A]		10	- 10
接线范围 Wire Range 单/多芯线 Solid/Stranded [AWG]		24-12	
耐电压 Withstanding Voltage		1800V/1Min	
IEC 技术参数 IEC Technical Data			
过电压类别 Overvoltage Category		III	III II
污染等级 Contamination Class		3	2 2
额定电压 Rated Voltage [V]		-	400 630
额定电流 Rated Current [A]		-	15 15
额定冲击电压 Impulse withstand voltages [KV]		-	6.0 6.0
导线横面积 Conductor cross section 硬质/柔性导线 Solid/flexible [mm <sup>2</sup> ]		2.5	
材料 Material			
绝缘材料 Insulation Material		PA66	
阻燃等级 Inflammability		UL94V-0	
导体材料 Contacting Material		铜合金 Copper alloy	
导体表面镀层 Contactive Coating		镀镍 Ni Plated	
一般参数 Other Data			
间距 Pitch [mm]		7.5	
极数 Pole [P]		2-24	
剥线长度 Stripping Length [mm]		9-10	
螺丝 Screw/扭矩 Torque(Max) [N.m]		M2.5/0.4	
工作温度 Operating temperatur [°C]		-40~+105	
引脚尺寸 Pin Dimensions [mm]		-	
PCB板孔径 PCB Hole Diameter [mm]		-	



DES.	LQQ	DATE	22.02.22	单位/UNITS	mm	尺寸/SIZE	A4	比例/SCALE	1:1	第三视角/THIRD ANGLE PROJECTION	版本/REV	A
CHK.	BY	DATE	22.02.22	 慈溪市科发电子有限公司 CIXI KEFA ELECTRONIC CO., LTD				名称/TITLE	KF2EDGKC-7.5			
APP.	CLF	DATE	22.02.22									