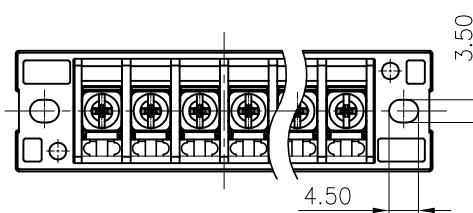
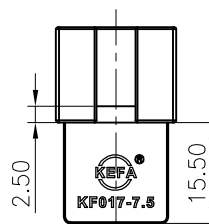
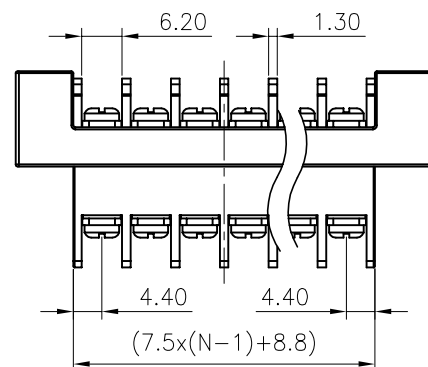
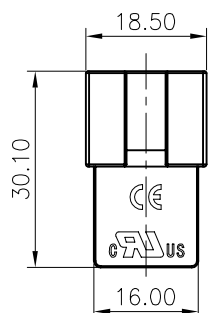
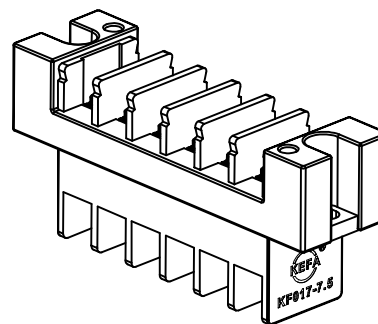
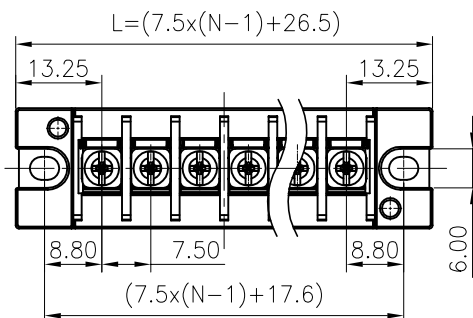
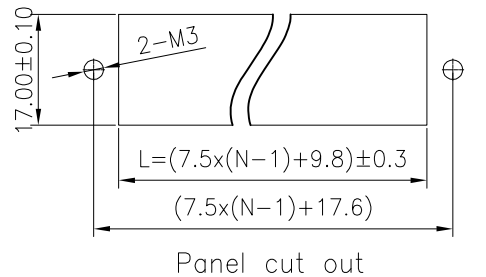


linear dimension(Tolerances Standard GB/T 14486-2008)								—		
variable range	to 6	over 6 to 10	over 10 to 30	over 30 to 60	over 60 to 100	over 100 to 160	over 160 to	to 10	over 10 to 100	over 100 to
tolerance	±0.20	±0.30	±0.50	±0.70	±1.00	±1.30	±1.60	0.10	0.30	0.60



REVISION RECORD				
REV.	DESCRIPTION	ECN No.	APPROVED	DATE

UL/CUL 技术 参数 UL/CUL Technical Data				
等级 Use Group	B	C	D	
额定电压 Rated Voltage [V]	300	/	/	
额定电流 Rated Current [A]	15	/	/	
接线范围 Wire Range	20-14			
单/多芯线 Solid/Stranded [AWG]	20-14			
耐电压 Withstanding Voltage	1.6KV/ 1 min			
IEC 技术参数 IEC Technical Data				
额定电压 Rated Voltage [V]	450			
额定电流 Rated Current [A]	24			
耐电压 Withstanding Voltage	2.5KV/ 1 min			
导线截面积 Conductor cross section 硬质/柔性导线 Solid/ flexible [mm²]	2.5			
材料 Material				
绝缘材料 Insulation Material	PBT			
阻燃等级 Imflammability	UL94V-0			
导体材料 Contactor Material	铜合金 Copper alloy			
导体表面镀层 Contactive Coating	镀锡 Tin Plated			
一般参数 Other Data				
间距 Pitch [mm]	7.5			
极数 Poles [P]	2-24P			
剥线长度 Stripping Length [mm]	7~8			
螺丝 Screw/扭矩 Torque(Max) [N.m]	M3/0.5			
工作温度 Operating temperatur [°C]	-30°C~ +120°C			
引针尺寸 Pin Dimensions [mm]	/			
PCB板孔径 PCB Hole Diameter [mm]	/			

DES.	CHK	DATE	2024. 09. 25	单位 / UNITS	mm	尺寸 / SIZE	A4	比例 / SCALE	1:1	第三视角/THIRD ANGLE PROJECTION	版本 / REV	A	
CHK.	CLF	DATE	2024. 09. 25	慈溪市科发电子有限公司 CIXI KEFA ELECTRONICS CO., LTD								名称 / TITLE	KF017-7.5-XXP 黑色
APP.	HDK	DATE	2024. 09. 25										